



# EZ KAYAK LAUNCH®

Model: 200900

Owner's Manual and  
Installation Instructions



## Table of Contents

General Information and Installation Overview.....	3
EZ Kayak Launch Specifications.....	4
EZ Kayak Launch Product Line.....	5
Site Conditions and Usage.....	6
Model/Serial Number and Hydrophobic Vent.....	7
Customer Service Assistance.....	7
Maintaining your EZ Kayak Launch.....	7
1. EZ Kayak Launch Installation Methods.....	8
1A. EZ Dock Coupler Installation.....	8
1B. Installation of the EZ Kayak Launch to a Floating Dock using a Hinge Kit.....	10
2. EZ Kayak Launch Accessories.....	12
2A. Handrail Extension Kit Installation.....	12
2B. Bunk Kit Installation.....	13
3. Porting Instructions.....	14
Sample Configurations.....	16
Warranty.....	17

---

Dear EZ Dock Owner,

The EZ Dock team thanks you for your purchase. We know that you had other choices of kayak ports, and we appreciate your decision to purchase the EZ Kayak Launch.

You will find it easy to maintain your EZ Kayak Launch and to add accessories and other components to your dock in the future. The EZ Kayak Launch is the most durable and versatile boat lift on the market. We hope that you, your family and your friends will enjoy this boat lift for many years to come.

Before you install your new EZ Kayak Launch, please take a moment to register your dock warranty. You can register online at [www.ez-dock.com](http://www.ez-dock.com), by using the warranty registration card provided by your distributor/dealer. To register you will need the serial number off the front of the EZ Kayak Launch. By registering your product, you will activate your product warranty and thereby protect your purchase against covered product defects. Please feel free to give our EZ Dock customer service department a call with any issues that you may have with your EZ Kayak Launch. You can reach our customer service department by dialing:

USA/Canada: 1-800-654-8168

Int'l: 1-417-235-2223

Europe: +46 (0) 380 47 300



## GENERAL INFORMATION AND INSTALLATION OVERVIEW



### GENERAL INFORMATION

The EZ Dock system and the EZ Kayak Launch are uniquely simple, low-maintenance designs that are versatile, safe, and durable. EZ Dock's patented one-piece, self-floating design is fast and easy to install. Sections come in several sizes with evenly spaced coupler, hardware, and anchor pockets.

Once assembled, this system is designed to minimize the amount of flex occurring from stress and loads on the system. The rubber connections will stretch to help the system-, and its attachments-, absorb shock and extreme pressures. Properly installed and maintained, this system will last for years of enjoyable use.

### **IMPORTANT! Assembly, Installation, Maintenance and Safety:**

You should read these instructions thoroughly, before assembling and installing your EZ Kayak Launch. Please adhere to all recommendations and cautionary suggestions appearing in this manual and always follow the instructions precisely. Please save these instructions and refer to them as needed for future reference.

 <b>DANGER</b>	
	<p><b>Drowning Hazard</b></p> <p>Swimming under and/or attempting to breathe in cavities under EZ Dock docks and ports while performing in-water installation of docks, ports and couplers can result in accidental drowning and death.</p> <p>Do not attempt in-water installation without EZ Dock in-water coupler installation tools.</p>

### ASSEMBLY OVERVIEW

- The layout should be planned before beginning to assemble the dock.
- Make sure the correct tools are available.
- The system may be assembled on the ground, on open water, or on a sufficiently thick ice sheet. To make assembly easier, attach pairs of the dock sections together before placing in the water.
- Verify that all dock sections and hardware are on site and ready for installation.

#### **Recommendations:**

**Attach as much hardware to dock sections as possible before placing the sections in the water.**

**Whenever possible, connections should be made at the shoreline, and the dock should be pushed out into the water.**

### Tool Requirements

As with most assembly and installation projects, some tools are required to assemble and install your EZ Kayak Launch. You may not need every tool listed below for your particular installation, but the following tools are generally helpful in the installation process (for professional installation, call your local EZ Dock dealer):

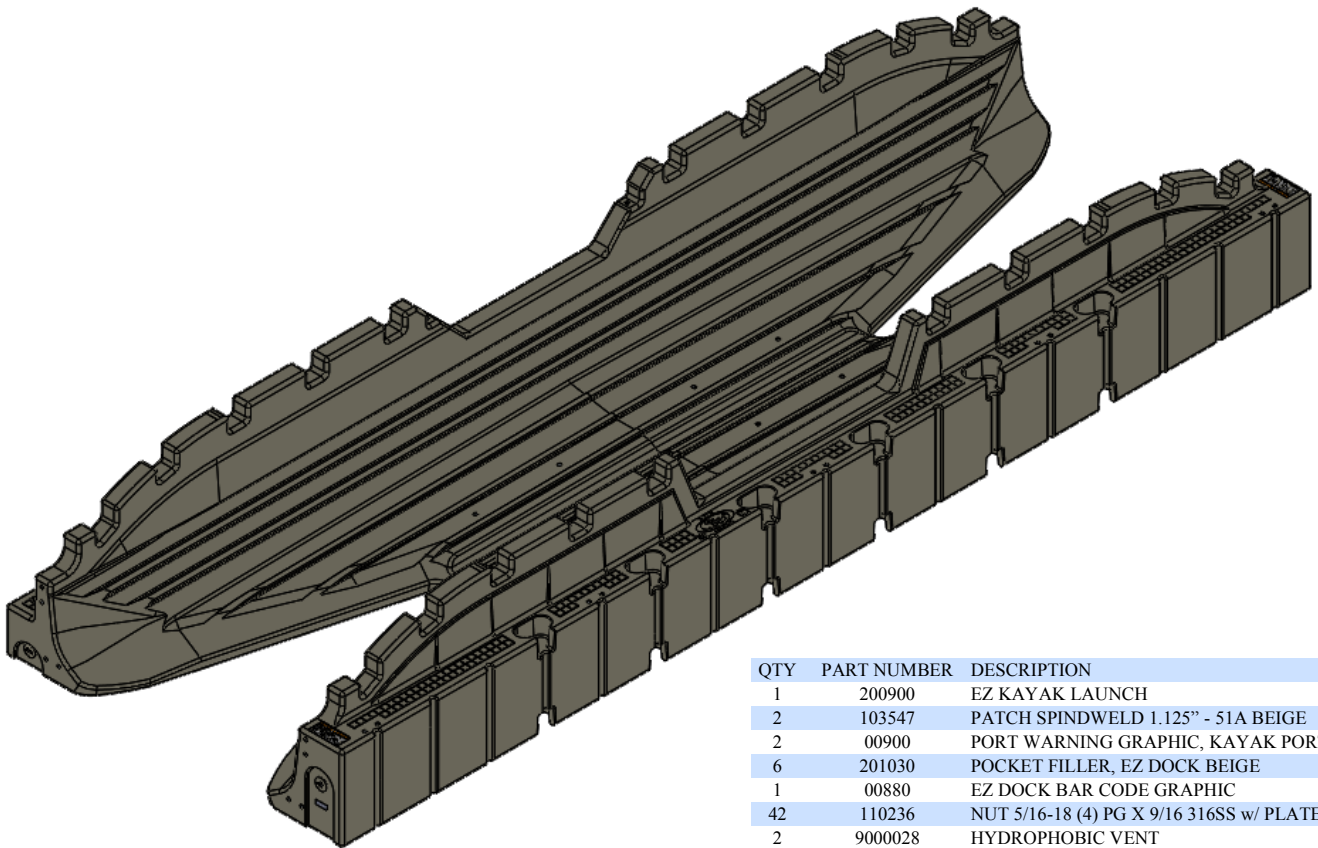
- EZ Dock in-water installation tool (9000010) (for EZ Dock mounting in-water assembly)
- Composite Coupler Installation Tool (900005)
- 1/2" drive ratchet
- Socket set (1/2", 9/16", 5/8", 11/16", 15/16" Hex Drive or 24mm—12 pt)
- Open-end, boxed-end wrench set (above mentioned sizes)
- Screwdrivers (#3 Phillips and standard)
- Adjustable wrenches
- Hammer (rubber mallet)
- Pry-bar (small and large)
- Rope (minimum 3/8" braided nylon)
- Power drill & bits

## EZ Kayak Launch Specifications

Model	Part Number	Length	Width	Height	Weight	Flotation Capacity
EZ Kayak Launch	200900	168" (426.7 cm)	58.5 (148.6 cm)	24.38" (61.9 cm)	325 lbs. est (145.2 kg)	750 lbs.* (kg)*
Entry Handrails Kit	200683	34" (86.4 cm)	" (6.4 cm)	" (1.27 cm)	lbs. ( kg)	N/A
Bunk Kit	208112	75" (190.5 cm)	" (20.3 cm)	" (12.7 cm)	33 lbs. (15.0 kg)	N/A

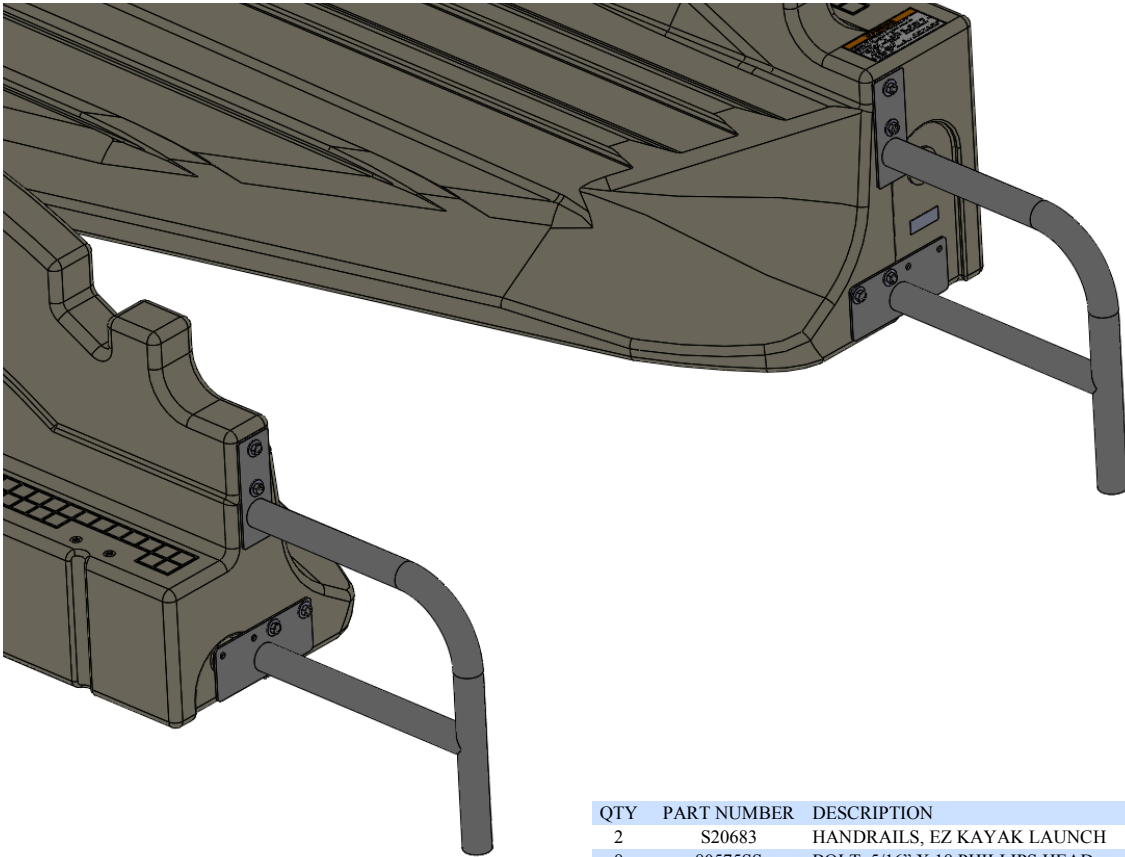
Note: Due to the rotomolding process, weights and dimensions may vary.  
 \* Theoretical flotation capacity. Actual capacity dependent upon weight distribution.

### EZ Kayak Launch - 200900



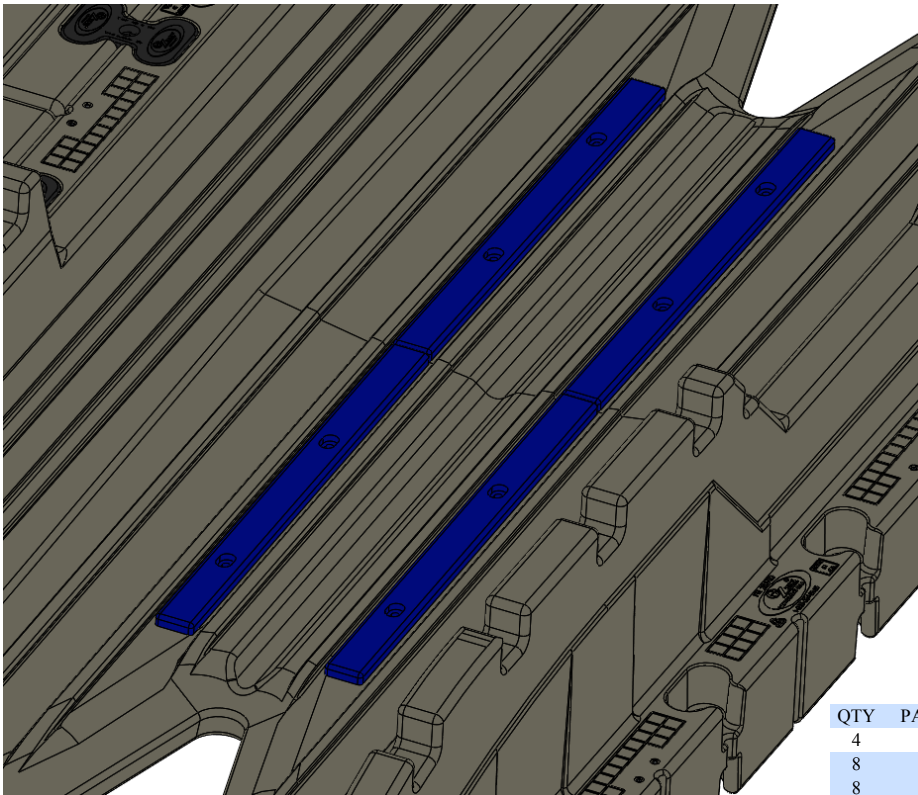
QTY	PART NUMBER	DESCRIPTION
1	200900	EZ KAYAK LAUNCH
2	103547	PATCH SPINWELD 1.125" - 51A BEIGE
2	00900	PORT WARNING GRAPHIC, KAYAK PORT
6	201030	POCKET FILLER, EZ DOCK BEIGE
1	00880	EZ DOCK BAR CODE GRAPHIC
42	110236	NUT 5/16-18 (4) PG X 9/16 316SS w/ PLATE
2	9000028	HYDROPHOBIC VENT
2	103565	SPINWELD 1.125"-1/4"NPT

## EZ Kayak Launch Handrails - 200683 (Optional)



QTY	PART NUMBER	DESCRIPTION
2	S20683	HANDRAILS, EZ KAYAK LAUNCH
8	80575SS	BOLT, 5/16" X 18 PHILLIPS HEAD
8	11703	WASHER ,5/16"

## EZ Kayak Launch Bunks - 208112 (Optional)



QTY	PART NUMBER	DESCRIPTION
4	S28112	WEAR STRIP, EZ KAYAK LAUNCH
8	80575SS	BOLT, 5/16" X 18 PHILLIPS HEAD
8	11703	WASHER ,5/16"

## Site Conditions to be Considered

Every EZ Dock EZ Kayak Launch installation is site specific and needs to be configured specifically for the end user's intended application. Some factors to take into consideration when determining the components necessary for a proper installation include: intended usage, water conditions, soil/bed conditions, and climate conditions. There are simple rules to follow when determining layout configuration.

Be certain that your installation configuration is designed to accommodate the daily intended use of your EZ Kayak Launch. Please take into account the following:

- Commercial application needs
- Public access requirements (ADA, CORP, or other)
- Private docking needs
- Scale of operation and use (size of boats, number of boats, number of people, etc.)
- Other special considerations affecting your daily use

Be aware of the unique characteristics of the specific body of water and consider how such conditions will affect the installation. Take into account:

- Overall area of the body of water
- Water depth (at the shore and at the furthest point of the dock from shore)
- Normal and greatest wave action
- Water level fluctuation
- Fresh, brackish, or salt-water
- Normal and extraordinary ice thickness and movement
- Lake bed and soil conditions (sand, rock, mud, etc.)

**For sites with severe wave conditions, docks should be arranged so that pylons are placed parallel to wave action, so that vents are facing against a dock face or towards the shore to minimize excess water collecting in dock sections.**

## Usage

Understand and consider installation/performance requirements, and then evaluate your ability to fulfill them.

- Determine whether your installation will be maintained and inspected on a regular basis.
- Become acquainted with the normal movement associated with floating structures.
- Determine whether you are capable of performing your own installation or whether it is best to hire a professional by contacting your local EZ Dock dealer.

Once you have considered and worked out the issues above, the next step is to select the anchoring method that is best for you. Since no two installations are exactly the same, each and every EZ Dock installation must be designed and configured for the specific and intended application.

- **Installation with an EZ Dock System (Section 1A):** When installing the EZ Kayak Launch on an EZ Dock system, simply use standard EZ Dock coupler sets to connect the EZ Kayak Launch to the EZ Dock. (refer to the installation instruction section 1A).
- **Installation with other floating dock systems (Section 1B):** The EZ Kayak Launch can be attached to other floating docks with the floating dock adapter hinge kit (refer to the installation instruction section 1B).
- **Installation with Pipes (Section 1C):** Anchoring the EZ Kayak Launch with pipes allows for freestanding installations or installations connected to an existing EZ Dock dock system (refer to the installation instruction section 1C).

## Model/Serial Number

You should register your EZ Dock product to ensure proper warranty coverage. The location of the serial number may be difficult or impossible to see once installed, so we suggest that you create a record of your serial numbers and corresponding dock sections prior to installation to insure proper identification when filing a warranty claim. The serial numbers can be found on the vertical side wall on the logo end of the dock sections (Figure 1).



Figure 1.

## Hydrophobic Vent

Every EZ Kayak Launch section has a hydrophobic venting insert. The vent is located in one of the front hand hold areas (Figure 2). These vents are designed to reduce the amount of water that may enter the dock, but still allow the dock section to breathe with temperature variation. When possible, these vents should be positioned towards shore and away from prevailing wind/current direction.

ITEM	QTY	PART NUMBER	DESCRIPTION
1	1	103565	Spinweld 1.9"-1/4" FPT Flush
2	1	9000028	Hydrophobic Vent 1/4" NPT

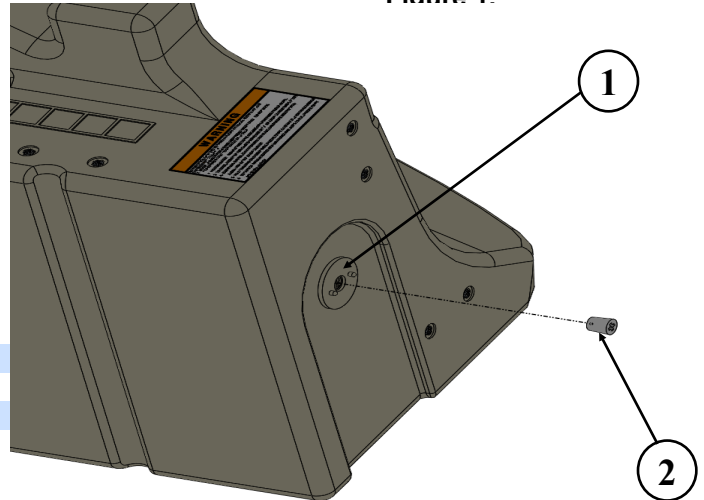


Figure 2.

## Customer Service Assistance:

When calling for service assistance, please know the purchase date, model and/or serial number of your EZ Kayak Launch. You will also need your serial number for product registration. This information will help us to better respond to your request. If you need replacement parts, contact your dealer to obtain only genuine parts. These parts will fit right and work correctly because they are made with the same precision used to build your EZ Kayak Launch. **To locate replacement parts in your area, call 1-800-654-8168 (US and Canada), 1-417-235-2223 (Africa, Asia or Central or South America), or +46 (0) 380 47 300 in Europe. French speaking residents in Quebec should call 1-800-654-8168. These numbers will put you in contact with your nearest distributor/dealer. You may also locate your nearest distributor or dealer by logging onto our website at [www.ez-dock.com](http://www.ez-dock.com).**

## EZ Dock distributors and dealers can provide assistance with:

- Features and specifications of EZ Dock's full line of products
- Installation information
- Use and maintenance procedures
- Accessory and repair part sales
- Referrals to local dealers

## Maintaining your EZ Dock System

### Care and Maintenance

**Cleaning:** Your new EZ Kayak Launch can be easily cleaned using a brush, mild cleaning agent, and water. For stubborn stains, use a diluted bleach solution. A power washer can be used when convenient. Algae growth at the waterline on the product is normal and will not harm the port.

**Ice:** The EZ Kayak Launch floats high enough so that normal ice pressure will not harm the product. However, if the shoreline area has ice pressure pushes, wind blown ice, or other ice flows, the dock needs to be removed or disconnected from the moorings. In these circumstances, pipes or piles should be removed to prevent bending due to ice pressure.

**Removal:** If the EZ Kayak Launch is removed at anytime for storage, it should not be dragged over rough gravel or other sharp objects. The EZ Kayak Launch may be stored outside without any special care when stored on edge or with the walking surface facing up.



# 1. EZ Kayak Launch Installation Methods (301100, 315100, 100750, & 100750SS)

## 1A. EZ Dock Coupler Installation (301100)

The EZ Kayak Launch mounts to existing or new EZ Dock installations using standard EZ Dock couplers kits (301100 or 315100). It can be connected to either our low profile 8" dock or to the standard 15" dock via the 6 coupler pockets on each respective side as shown in Figures 3 and 4.

**Note:** For detailed coupler installation instructions, please see page 12.

### Tools required:

- In-Water Installation Tool (900010)
- Ratchet and socket set
- Composite Coupler Installation Tool (900005)
- Screwdrivers (Phillips and standard)
- 15/16" or 24mm socket
- Pry-bar (small and large)
- Hammer (rubber mallet)

**Helpful Hint:** To make assembly and disassembly easier, rub a marina safe lubricant on the coupler rods.

QTY	PART NUMBER	DESCRIPTION
1	200900	KAYAK LAUNCH
2	20****	DOCK SECTION, STANDARD
3	311010	COUPLER SET, STANDARD
4	9000010	IN-WATER INSTALLATION TOOL

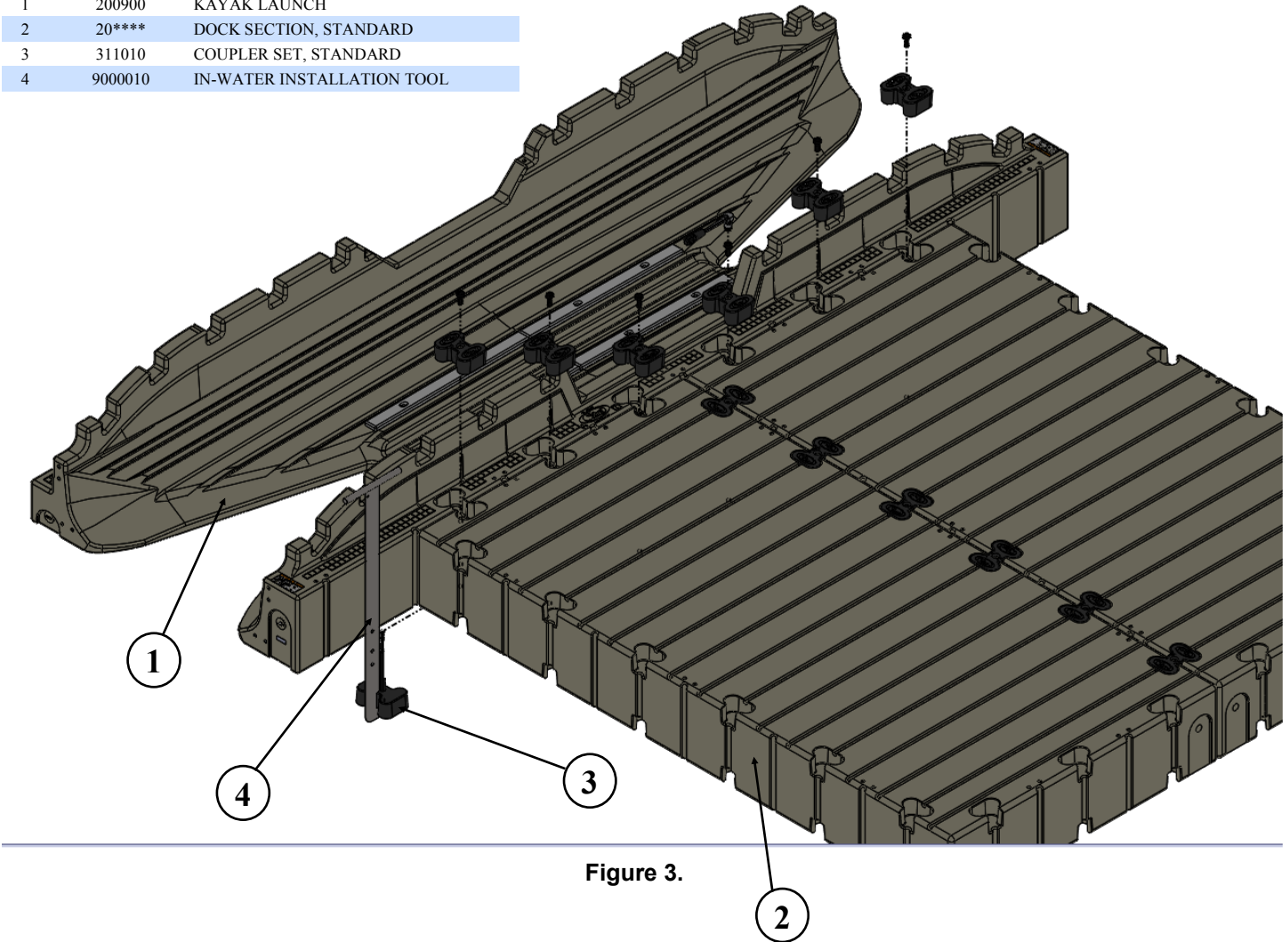


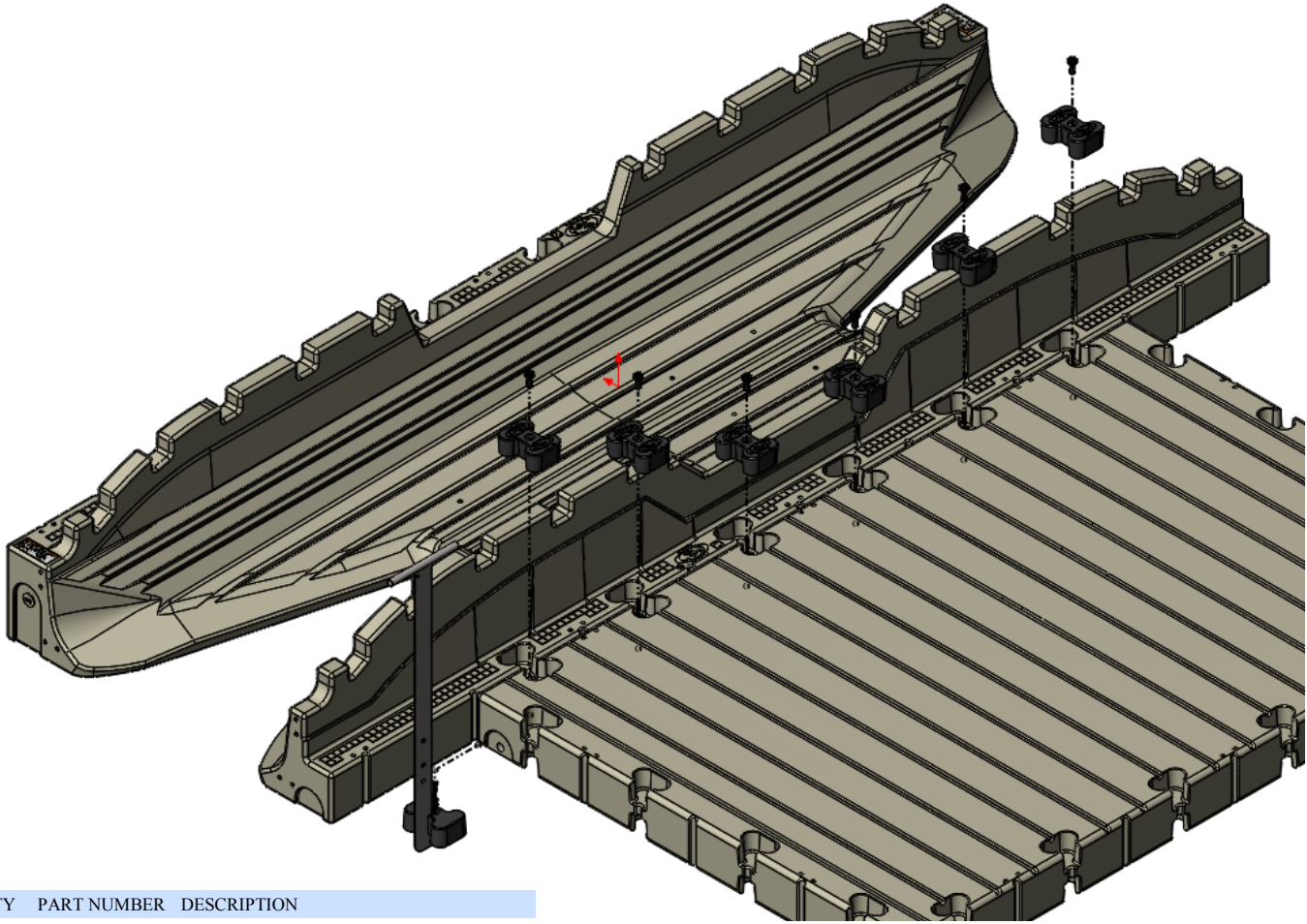
Figure 3.

### NOTE:

1. All empty or unused coupler pockets should be filled with an EZ Dock pocket filler (201030).
2. When side mounting, it is recommended to utilize both front side coupler pockets along with an additional dock section in front of the EZ Kayak Launch.



## 1A (Cont). EZ Dock Low Profile Coupler Installation (315100)



QTY	PART NUMBER	DESCRIPTION
1	200900	KAYAK LAUNCH
2	15****	DOCK SECTION, LOW PROFILE
3	315100	COUPLER SET
4	9000010	IN-WATER INSTALLATION TOOL

Figure 4.

## 1A. EZ Dock Coupler Installation (Continued) (301100 & 315100)

1. Insert the composite coupler bolt (Item 2) into coupler (Item 3). Align the mark on the head of the bolt so the splines line up into the notched pockets in the coupler.
2. Using a hammer, seat the bolt into the coupler (Figure 4).
3. Install coupler with seated bolt on the in-water installation tool, (Figure 5).



Figure 4.

4. Align the EZ Dock dock sections and the EZ Residential Launch so coupler pockets are adjacent to each other (Figure 6).
5. Using the in-water installation tool (Item 7), insert the coupler and bolt assembly into the bottom pocket with the bolt pointing upward (Figure 6).
6. Hold the top handle and lower the tool with coupler in the water until the rod is completely below the bottom surface of the dock section. (If the rod hits the dock section the coupler may fall off the tool).
7. While maintaining the proper depth, slide the tool between the dock sections until you reach the pocket to be connected.
8. Pull up on the in-water installation tool to seat the bottom coupler. (**NOTE:** The EZ Dock and EZ Kayak Launch must be sitting level on the water and at the

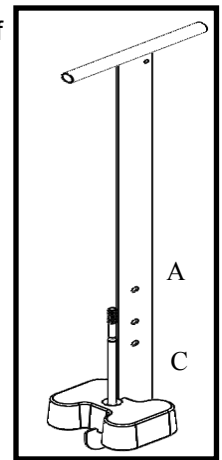


Figure 5.

same elevation for the coupler to properly seat into the bottom pocket. This may require a counter balance weight towards the opposite end of the EZ Kayak Launch to offset the weight of the installer who is standing at the seam between the EZ Kayak Launch and the EZ Dock). The coupler is fully seated in its pocket when the indicator hole on the in-water installation tool (Figure 5) is flush with the top of the dock (you should be able to insert a screwdriver through the indicator hole).

Indicator Hole A: Standard EZ Dock  
Indicator Hole C: Low Pro EZ Dock

9. While holding pressure, insert the top coupler into the opposing pocket by aligning the hole in the top coupler over the rod and pushing the coupler into the pocket, (Figure 7).
10. Install the coupler nut (Item 4) onto the bolt and tighten until the top of the bolt is 3/8 -1/2" below the top of the nut (do not torque over 15 ft-lb). Due to the security feature on the coupler nut, the composite coupler installation tool (Item 3) is required for tightening. The coupler installation tool is splined on the end to be inserted into the coupler nut and the other end is a 15/16" bolt. This is inserted into a 15/16" socket (Item 2) with ratchet (Item 1) for tightening (Figure 7).
11. To release the installation tool, remove pin/screwdriver from the indicator hole and push down tool, sliding it between the docks to begin your next coupler installation.

**DO NOT OVER TIGHTEN THE NUT! ( Do not torque over 15 ft.-lbs.)**

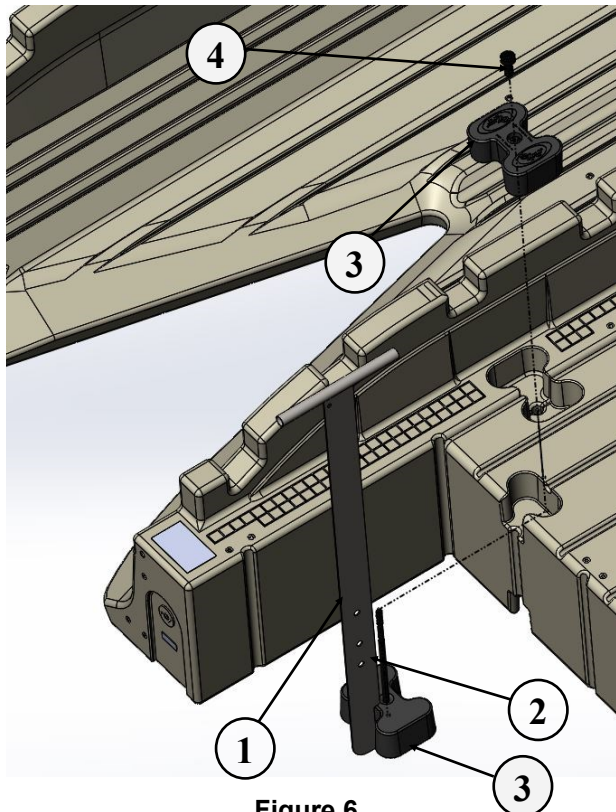


Figure 6.

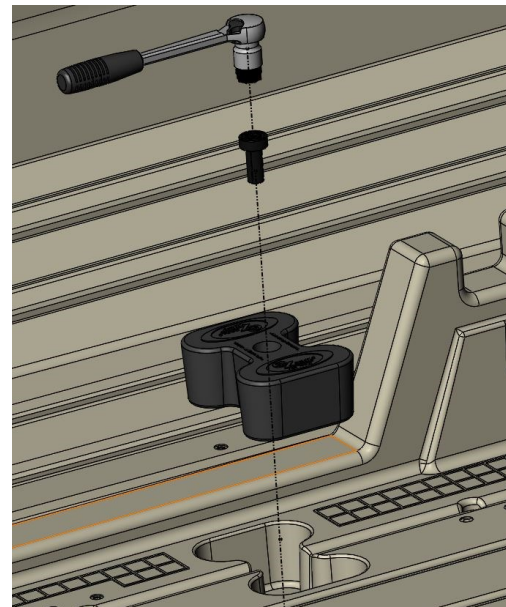


Figure 7.

ITEM	QTY	PART NUMBER	DESCRIPTION
1	1	9000010	IN-WATER INSTALLATION TOOL
2	1	211003	COUPLER BOLT
3	2	311010	EZ DOCK COUPLER
4	1	22003	EZ DOCK COUPLER NUT

## 1B. Installation of the EZ Kayak Launch to a Floating Dock using Hinge Kit (100750 &

The 100750 or 100750SS hinge kit is required when anchoring an EZ Kayak Launch to an existing floating dock. This kit can be used either on the front of the EZ Kayak Launch (Figure 8) or on either set of coupler pockets located on the side of the EZ Kayak Launch.

1. Measure the freeboard of the fascia of the floating dock where the connection will be made.
2. Determine the best position for the hinge adapter plate (Item 5). The plate can be above (Figure 8), perpendicular, or directly in front of the hinge adapter bracket.
3. No additional weight should be on the EZ Kayak Launch while measuring hinge adapter plate location.
4. When attaching to a wooden structure, use carriage bolts (not included) to attach the adapter plate. If attaching to a steel or aluminum structure, it may be necessary to first attach a 2" X 8" (5cm X 20cm) wooden fascia (not included). When attaching to a concrete floating dock, concrete anchor bolts (not included) may be required.
5. Place two (2) hardware connectors (Item 2) in the two outside top pockets on the EZ Kayak Launch (Item 1). Place J-hook (Item 3) of floating dock adapters (Item 6) in lower EZ Kayak Launch pockets and rotate toward the hardware connector, allowing the bolt to go through the slotted hole and secure with nut (Item 6).
6. Float the EZ Kayak Launch into position and secure the hinge pins (Item 4) and hitch pins (Item 7).

### Tools required:

- Ratchet and socket set
- Open-end, boxed-end wrench set
- Screwdrivers (Phillips and standard)
- 15/16" or 24mm socket
- Pry-bar (small and large)
- Hammer (rubber mallet)
- Pliers
- Tape Measure
- Drill
- Drill bits

ITEM	PART NUMBER	DESCRIPTION
1	200900	KAYAK LAUNCH
2	S21140SS	CONNECTOR HARDWARE W/ SS
3	S10712SS	HINGE PLATE ADAPTER
4	S80968SS	HINGE PIN, SS FOR FLOATING DOCK ADAPTER
5	S10713SS	BRKT, DOCK ADAPTOR HINGE TO FLOAT—SS
6	80580SS	NUT 5/8"-11 LOCK, SELF LOCKING 18-8 SS
7	8011	CLIP HITCH PIN #11, EZ DOCK SS
8	N/A	WOODEN DOCK

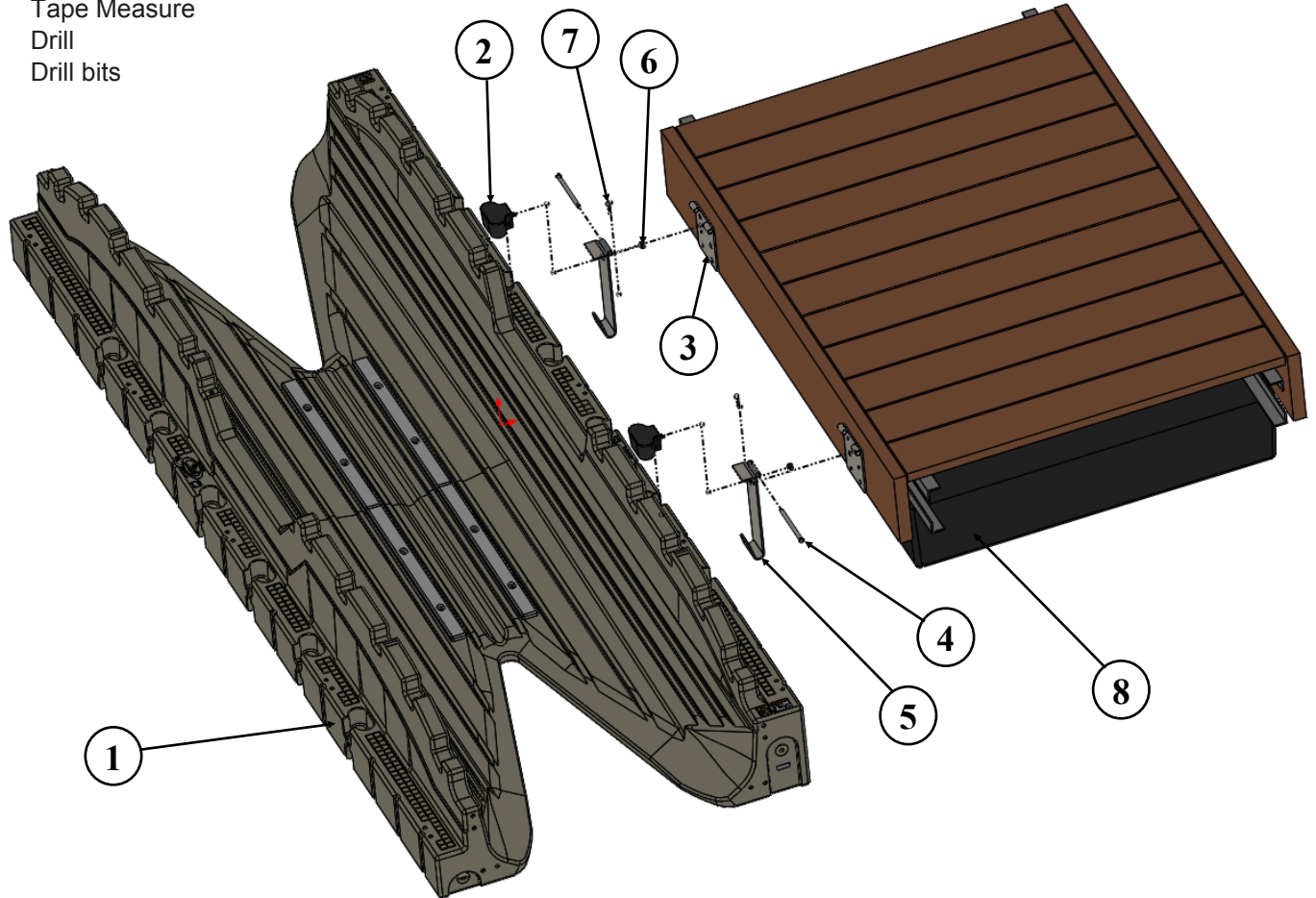
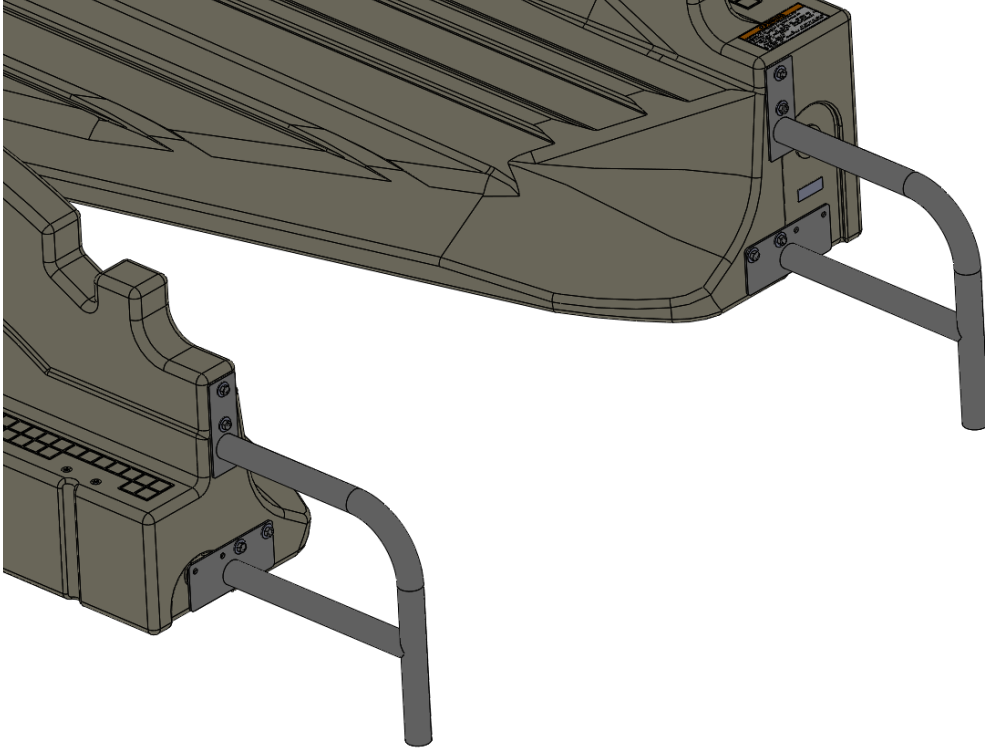


Figure 8.



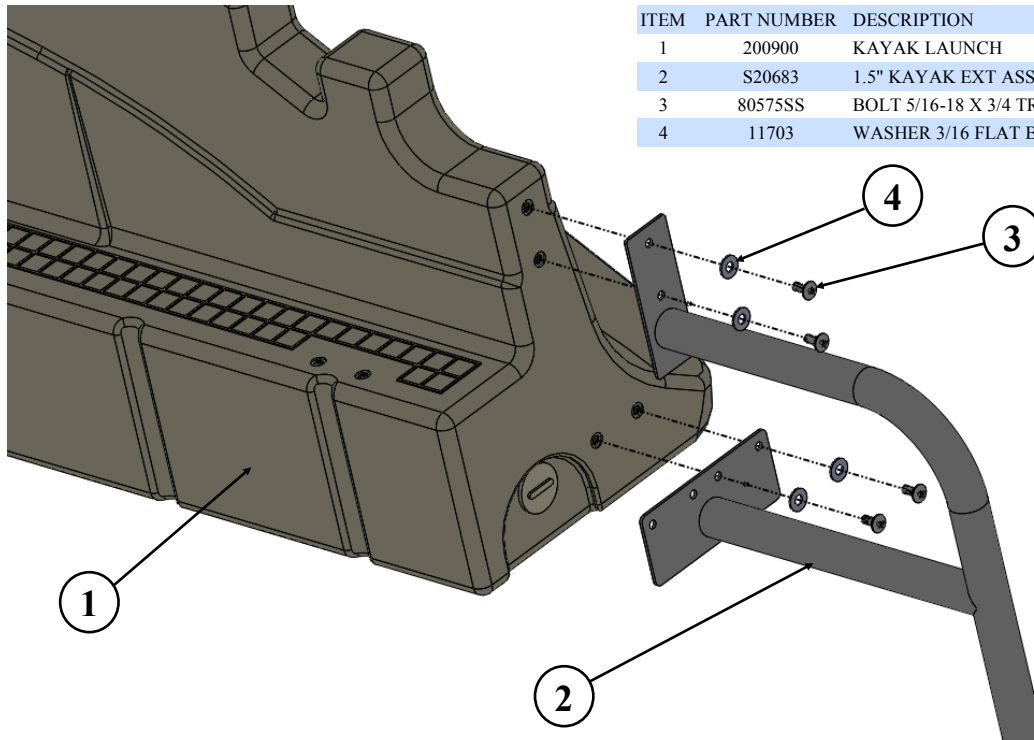
## 2. EZ Kayak Launch Accessories

### 2A. Handrail Extension Kit Installation (200683)



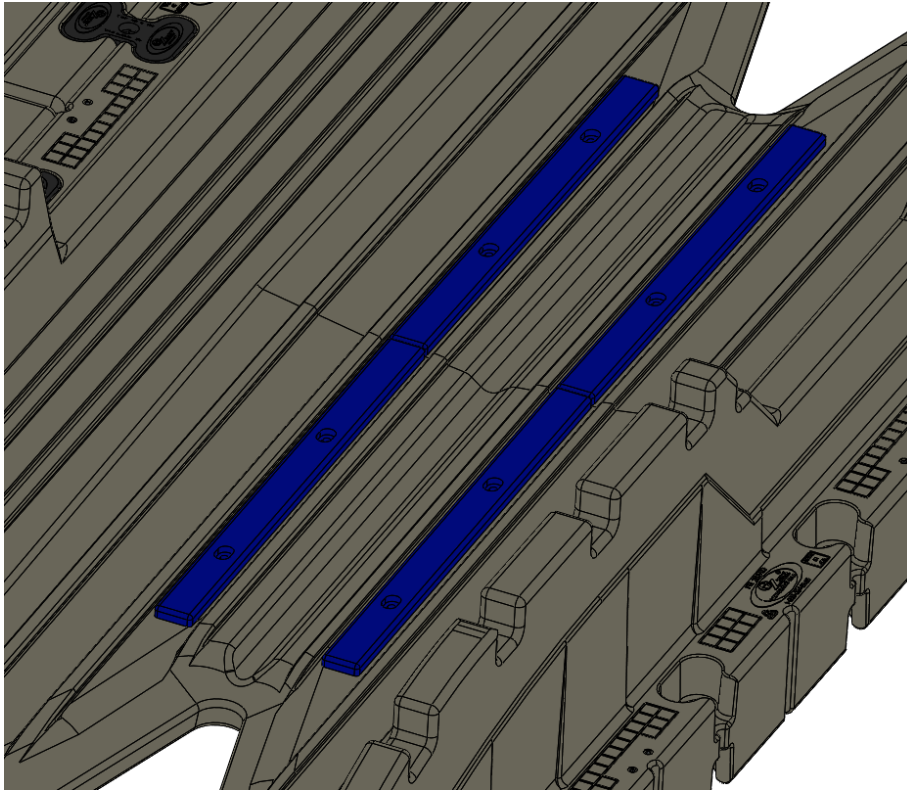
Note: Recommended to be installed in water  
Note: Handrails are not side specific.

1. Line up bolt holes on handrails to the t-nuts on the entry of the port..
2. Starting from the top and working down, loosely screw in bolts with supplied washers.
3. Once each bolt is loosely threaded, snugly tighten all bolts down. Be sure not to over tighten. A marine safe lubricant or anti-seize is recommended to prevent galling of the stainless steel bolts.



ITEM	PART NUMBER	DESCRIPTION
1	200900	KAYAK LAUNCH
2	S20683	1.5" KAYAK EXT ASSEMBLY
3	80575SS	BOLT 5/16-18 X 3/4 TRUSS HD 18-8 SS
4	11703	WASHER 3/16 FLAT BLK ZP

## 2B. EZ Kayak Launch Bunk Kit Installation (208112)

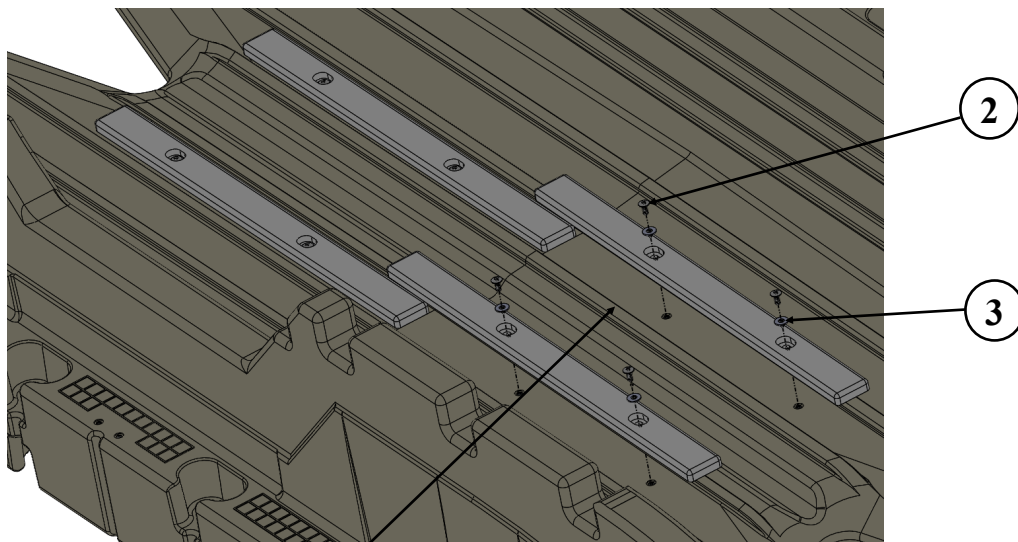


Bunks can be attached to the EZ Kayak Launch to keep the hull of watercraft from rubbing on the port while also stabilizing the water craft due to any angle of dead rise on the hull. Made from HPDE material for mar and slick surfacing.

### Tools required:

- Screwdrivers

1. Simply place the HPDE panel inside the molded bunks on the EZ Kayak Launch and line up the bolt holes with the molded in T-nuts on the EZ Kayak Launch.
2. Use the supplied bolts washers to connect the EZ Kayak Launch and the bunks together.



1

Figure 17.

ITEM	PART NUMBER	DESCRIPTION
1	S20683	SLIDE WEAR PAD, KAYAKSLIDE 2.50X.50X38"
2	80575SS	BOLT 5/16-18 X 3/4 TRUSS HD 18-8 SS
3	11703	WASHER 3/16 FLAT BLK ZP

## 4A. Launching Instructions for Kayak



### #1 Enter the watercraft and prepare for launch

After geared up, make sure the watercraft is stable on the launch. Next, enter the EZ Kayak Launch from the opening in the middle of the launch and step on/into the watercraft. Once seated, comfortable, and ready to port, grab the paddle/oar and insert into first slots.

-ALWAYS LAUNCH IN THE SEATED POSITION, NEVER STAND WHILE ATTEMPTING TO LAUNCH.

-All passengers must be properly seated while porting.

-Follow your water vessel owner's manual for safe and proper boating



### #2 Pull forward with paddle.

While remaining seated, use the slots along the top of the EZ Kayak Launch to pull yourself into the water. This action of pulling forward is comfortably easy and the watercraft will slide easily on the launch. The launch is self centering and will give complete confidence in launching watercraft.





## 4B. Porting Instructions For Kayak



### #1 Paddle Up to the EZ Kayak Launch entry

Paddle up to the launch until the vessel gently comes in contact with the launch or until the operator can reach the first slot. Come to a complete stop and allow the watercraft to center itself, with the keel in-line with the center of the launch.

-Do not attempt to port while people or pets are standing on the launch or adjacent dock sections.

-All passengers must be properly seated while porting.

-Follow your water vessel owner's manual for safe and proper boating methods.

**IT IS NOT RECOMMENDED OR NECESSARY TO BUILD UP MOMENTUM TO DOCK ON THE EZ KAYAK LAUNCH.**

### #2 Pull forward with paddle.

After completely stopped and once the watercraft is in-line with the center of the launch, place the oar/paddle in slots along top of the EZ Kayak Launch and pull forward on the paddle until the watercraft is completely on the EZ Kayak Launch. Pulling forward on the paddle is very intuitive and natural. The launch is specially designed for successful porting time after time.

### #3 Slide Aboard & Secure Paddle

When docking is complete, your watercraft should be completely out of the water and stable on the launch. The watercraft should then be secured to the launch when not in use by methods of a Tie-Up Cleat (300100) or removed from the launch.

The EZ Kayak Launch is a simple pull-on, pull-off method of dry docking your watercraft. The self floating EZ Kayak Launch moves with the changing water levels and protects your watercraft from wind, wave, or other environmental conditions. The EZ Kayak Launch comes from the factory accepting most common paddle craft, however EZ Dock offers accessories to accommodate less common water craft. Launching your watercraft should require only minimal effort and one person should be able to pull the watercraft back into the water. If your watercraft is difficult to launch, seek help and/or contact your local dealer for available options. **Do not try to launch a "stuck" watercraft by yourself.**

**⚠ WARNING**

IMPROPER USE CAN LEAD TO SERIOUS INJURY OR DEATH. ALWAYS FOLLOW INSTRUCTIONS CAREFULLY.

1. KAYAK LAUNCH IS FOR KAYAKS AND PADDLE CRAFT ONLY. DO NOT DOCK MOTORIZED WATER CRAFT ON KAYAK LAUNCH.
2. REMAIN SEATED — NEVER STAND WHILE DOCKING OR LAUNCHING PADDLE CRAFT.
3. TO DOCK, PADDLE UP AND CENTER BOW/KEEL IN "V" OF KAYAK LAUNCH UNTIL IT TOUCHES.
4. REMAINING SEATED, REACH FORWARD AND PLACE OAR/PADDLE INTO SLOTS ALONG TOP OF KAYAK LAUNCH.
5. PULL FORWARD ON PADDLE UNTIL PADDLE CRAFT IS COMPLETELY ON KAYAK LAUNCH.
6. TO LAUNCH, REMAIN SEATED AND USE PADDLE AND SLOTS TO PULL PADDLE CRAFT OFF KAYAK LAUNCH.
7. DO NOT SWIM UNDER OR ATTEMPT TO BREATHE IN CAVITIES BENEATH EZ DOCK DOCKS, PORTS, OR LAUNCHES.

For more information go to [www.ez-dock.com](http://www.ez-dock.com).

## 4C. Launching Instructions For Standup Paddleboard (SUP)

### #1 Setting up the SUP

Place the SUP with the rear towards the exit and is just supported by the launch. Step onto the SUP with the paddle in the operators hands.

- Do not attempt to launch while people or pets are standing on the launch or adjacent dock sections.
- Ensure stability before attempting to launch.
- Follow your water vessel owner's manual for safe and proper boating methods.

**IT IS NOT RECOMMENDED OR NECESSARY TO BUILD UP MOMENTUM TO LAUNCH FROM THE EZ KAYAK LAUNCH.**

NO IMAGE



### #2 Launching the SUP

Kneeling on the SUP for better stability, use the slots to push yourself into the water.

#### 4D. Porting Instructions For Standup Paddleboard (SUP)



##### #1 Paddle Up to the EZ Kayak Launch entry

Paddle up to the launch until the vessel gently comes in contact with the launch or until the operator can reach the first slot/optional handholds. As you begin to reach the launch it is advised to sit or kneel to lower your center of gravity and increase stability. Come to a complete stop and allow the watercraft to center itself, with the keel in-line with the center of the launch. If needed, position your body towards the rear of the paddlecraft to bring the nose higher.

-Do not attempt to port while people or pets are standing on the launch or adjacent dock sections.

-Ensure stability before attempting to launch.

-Follow your water vessel owner's manual for safe and proper boating methods.

**IT IS NOT RECOMMENDED OR NECESSARY TO BUILD UP MOMENTUM TO DOCK ON THE EZ KAYAK LAUNCH.**



##### #2 Pull forward with paddle or hands.

After completely stopped and once the watercraft is in-line with the center of the launch, insert paddle into the slots or use hands to pull the SUP onto the launch to comfortable position to securely stand up and onto the launch. Please remember to be mindful of the fins on the bottom of the SUP.



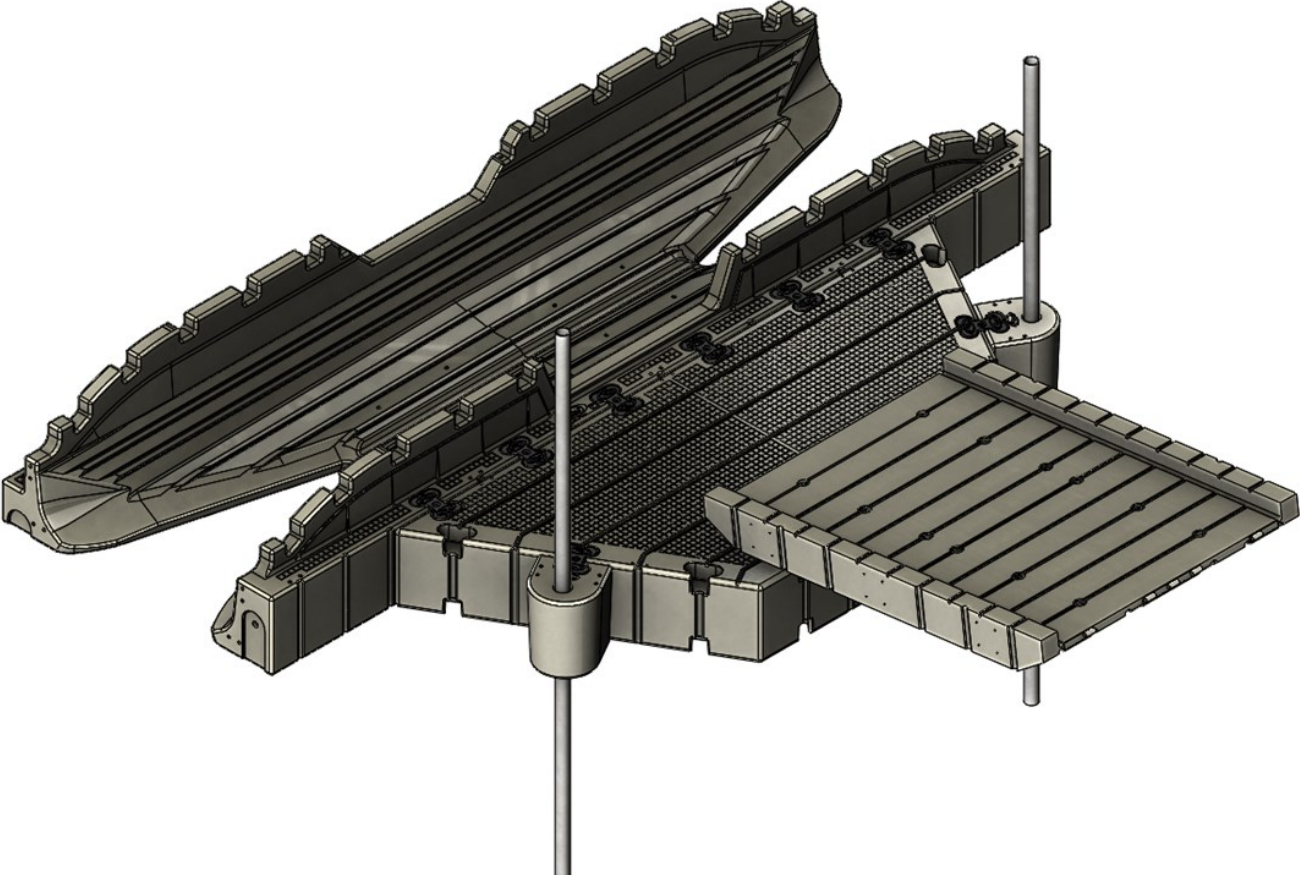
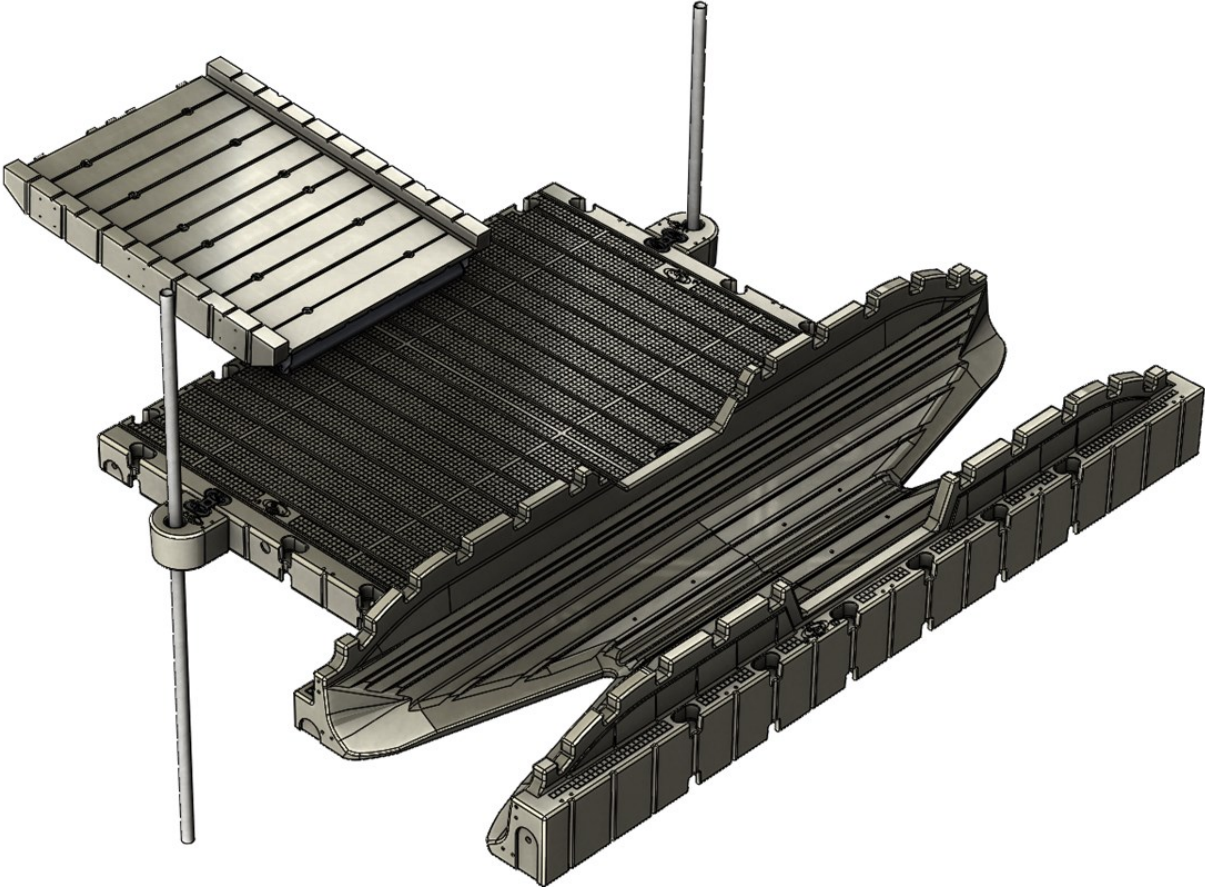
##### #4 Pull the SUP up to completely port.

After securing your paddle on the dock and continuing to being mindful of the fins on the bottom of the vessel, you may now pull the SUP the rest of the way onto the launch. The SUP can then be secured to the launch using a Tie-Up Cleat (300100) or removed from the launch and secured on the dock.

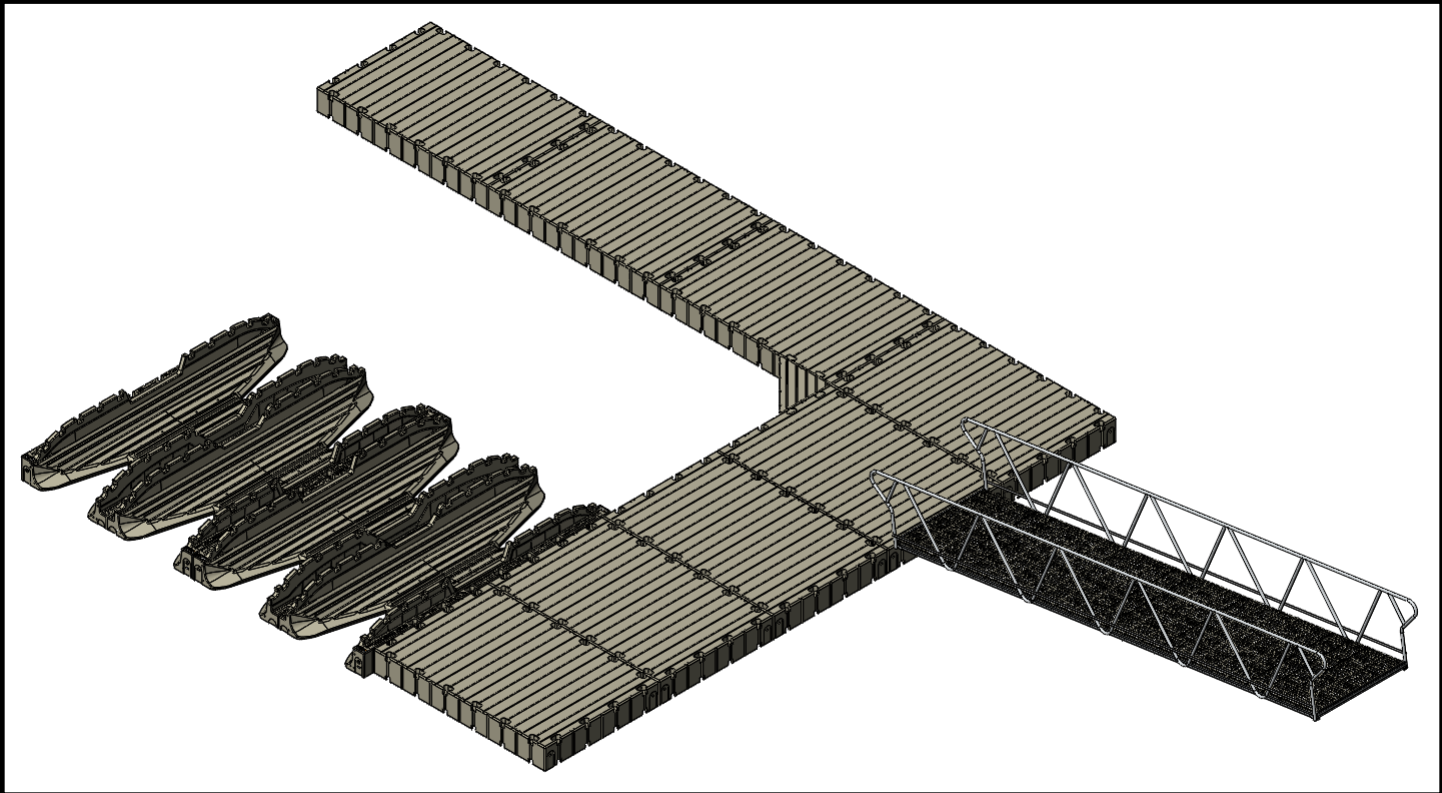
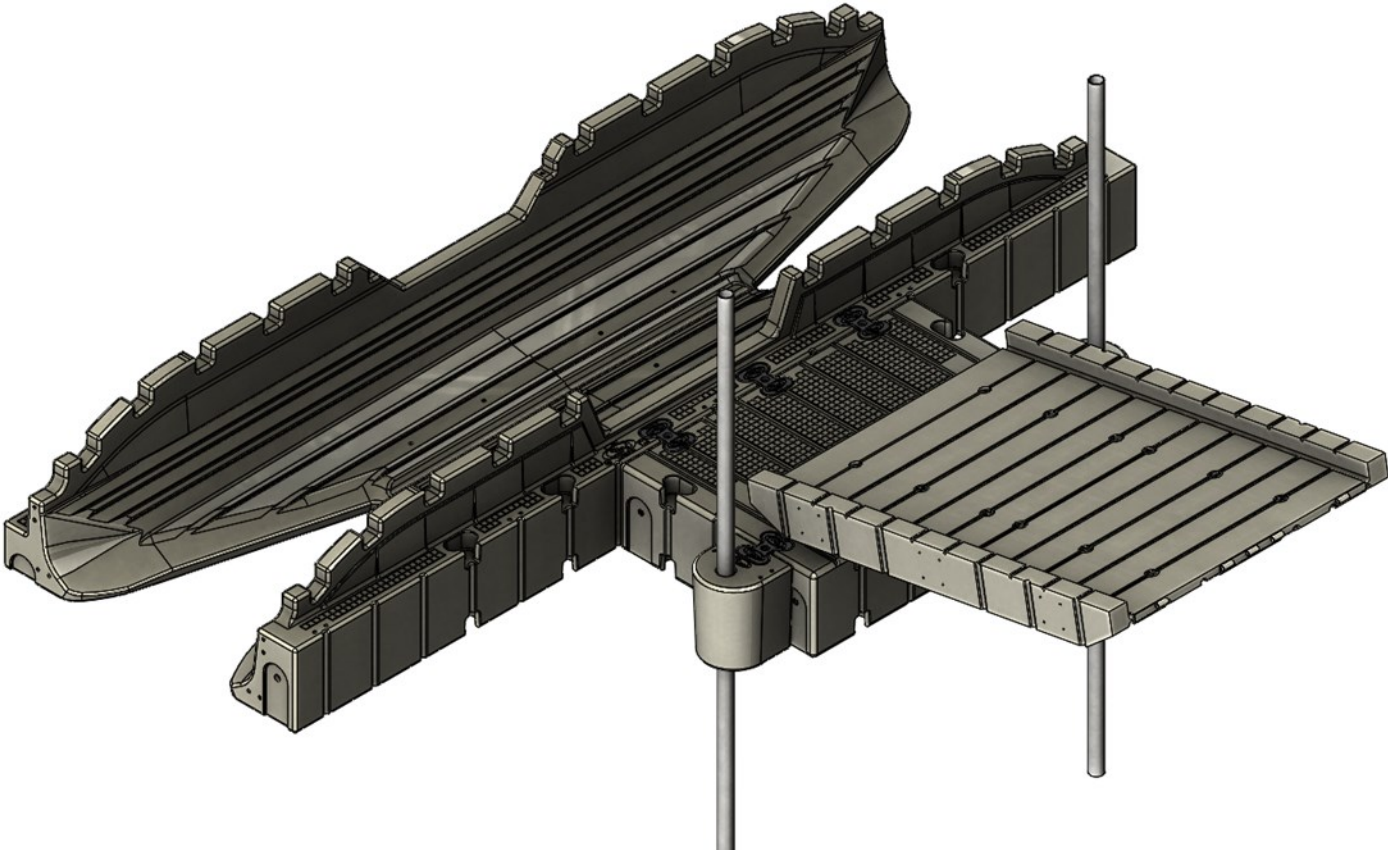




Sample Configurations



Sample Configurations





## Limited Warranty:

**Flotation (8 Years)** - EZ Kayak Launches are warranted against cracks, breakage, leaks, and ultraviolet deterioration caused by defects in material and manufacturing workmanship for a period of eight (8) years from the date of purchase.

**Hardware and Accessories (1 Year)** - Hardware and accessories are warranted against defects in material and manufacturing workmanship for a period of one (1) year from the date of purchase.

These Limited Warranties specifically do not cover damages to EZ Dock products caused by: improper installation; use inconsistent with EZ Dock's instructions and product specifications; vandalism; severe weather and natural disaster; impact by watercraft, ice, falling trees, floating debris, and other foreign objects; animals or aquatic life; unauthorized product modification and attachment; and improper repair.

If an EZ Dock product fails under normal use and within the applicable warranty period, Buyer must submit a written claim to EZ Dock at 878 East Highway 60, Monett, MO 65708 USA. Claims must identify the failed product(s), describe the claimed defect(s), and include copies of dated proofs of purchase/receipts from an authorized EZ Dock reseller.

Upon receiving sufficient proof of covered product failure, EZ Dock will, in its sole discretion, either repair or replace failed products within a reasonable time after notice, and ship, at Buyer's expense, repaired and/or replacement products to the site. "Repair" may be limited to providing a repair kit to Buyer. Costs related to the removal of failed products, and the installation of repaired and/or replaced products shall be at Buyer's expense.

Warranty periods begin on the date of purchase from an authorized EZ Dock reseller. Repaired and replacement products are warranted only for the balance of the original limited warranty period. These limited warranties extend only to the original Buyer of products from an authorized EZ Dock reseller ("Original Purchaser"). Warranties are not transferable to anyone who subsequently purchases products from the Original Purchaser, or to any subsequent purchaser.

In order to ensure proper warranty coverage, Buyer should activate these Limited Warranties by properly registering the purchase of EZ Dock products within thirty (30) days of the date of purchase via the Registration Card provided in EZ Dock's Owner's Manual, or by registering online by going to [www.ez-dock.com](http://www.ez-dock.com), clicking "Customer Service" and then clicking "Product Registration".

Buyer, by acceptance and use of these limited warranties, waives any rights it would otherwise have to claim or assert that these limited warranties fail of their essential purposes. Buyer agrees that venue for any court action to enforce these limited warranties shall be in Barry or Greene Counties in the State of Missouri.

**THE FOREGOING LIMITED WARRANTY IS THE SOLE AND EXCLUSIVE WARRANTY FOR SELLER'S PRODUCTS, AND IS IN LIEU OF ALL OTHER WARRANTIES, EXPRESS OR IMPLIED, IN LAW OR IN FACT. SELLER SPECIFICALLY DISCLAIMS ALL OTHER WARRANTIES, EXPRESS OR IMPLIED, INCLUDING, WITHOUT LIMITATION, ALL IMPLIED WARRANTIES OF MERCHANTABILITY AND FITNESS FOR A PARTICULAR USE OR PURPOSE, AND ANY IMPLIED WARRANTIES ARISING OUT OF COURSE OF DEALING OR PERFORMANCE OR TRADE USAGE. SELLER SHALL NOT BE LIABLE FOR ANY INCIDENTAL, CONSEQUENTIAL, EXEMPLARY, SPECIAL, OR PUNITIVE DAMAGES, OR ANY LOSS OF REVENUE, PROFIT OR USE, ARISING OUT OF A BREACH OF THIS WARRANTY OR IN CONNECTION WITH THE SALE, INSTALLATION, MAINTENANCE, USE, OPERATION OR REPAIR OF ANY PRODUCT. IN NO EVENT WILL SELLER BE LIABLE FOR ANY AMOUNT GREATER THAN THE PURCHASE PRICE OF A DEFECTIVE PRODUCT.**



EZ Dock, Inc  
878 HWY 60  
Monett, MO 65708  
1-417-235-2223 1-800-654-8168



---

**THE FIRST DOCK OF ITS KIND...THE LAST DOCK YOU WILL EVER NEED®.**

---

For questions about features, operation/performance, parts, accessories or service, call your local dealer. Additional information regarding EZ Dock products can be found online at [ez-dock.com](http://ez-dock.com)

EZ Dock may introduce new colors, products, accessories and options throughout the year. Specifications and products listed are subject to change without notice. Some products may be shown with additional or optional equipment not available through EZ Dock. Specifications may vary for international shipments. Please check with your local dealer for more information. EZ Dock is a product of the U.S.A.